

## DISPENSING VALVE

# DA 500

### DAV Tech Sas

Via S. Pio X 6/a 36077 Altavilla Vicentina (VI)  
Tel +39 0444 574510 Fax +39 0444 574324  
e-mail: [davtech@davtech.it](mailto:davtech@davtech.it) [www.davtech.it](http://www.davtech.it)

## TECHNICAL DESCRIPTION

### Valve functioning

DA 500 valve is designed to dispense medium to high viscosity fluids, feeding in high pressures.

The valve is pneumatically driven by a 3/2 or a 5/2 solenoid valve (for 3/2 drive the inside spring will do the closing).

With adapt gaskets the valve could be used with solvent or other fluids.

A large series of nozzles are available to dispense a lot of different fluids and paste like silicone, grease, etc

### Technical Specifications

Fluid pressure	Max 150 bar
Working pressure	6 bar
Nozzle diameter	Da 2 a 5 mm

## Models Available

Codice	Descrizione
C35112000	Valve DA 500 120 KV NR 2,0 mm
C35113000	Valve DA 500 130 KV NR 3,0 mm
C35114000	Valve DA 500 140 KV NR 4,0 mm
C35115000	Valve DA 500 150 KV NR 5,0 mm



Codice	Descrizione
C35122000	Valve DA 500 120 LV NR 2,0 mm
C35123000	Valve DA 500 130 LV NR 3,0 mm
C35124000	Valve DA 500 140 LV NR 4,0 mm
C35125000	Valve DA 500 150 LV NR 5,0 mm



Codice	Descrizione
C35112001	Valve DA 500 120 KL NR 2,0 10mm
C35113001	Valve DA 500 130 KL NR 3,0 10mm
C35114001	Valve DA 500 140 KL NR 4,0 10mm
C35115001	Valve DA 500 150 KL NR 5,0 10mm
C35112002	Valve DA 500 120 KL NR 2,0 15mm
C35113002	Valve DA 500 130 KL NR 3,0 15mm
C35114002	Valve DA 500 140 KL NR 4,0 15mm
C35115002	Valve DA 500 150 KL NR 5,0 15mm
C35112003	Valve DA 500 120 KL NR 2,0 20mm
C35113003	Valve DA 500 130 KL NR 3,0 20mm
C35114003	Valve DA 500 140 KL NR 4,0 20mm
C35115003	Valve DA 500 150 KL NR 5,0 20mm

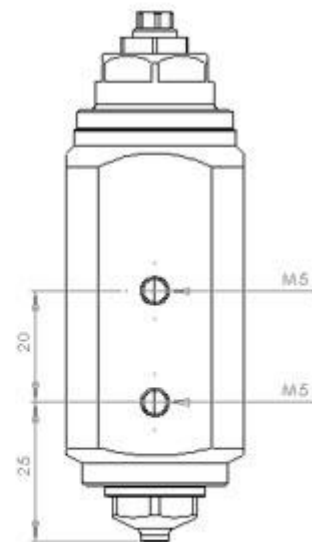
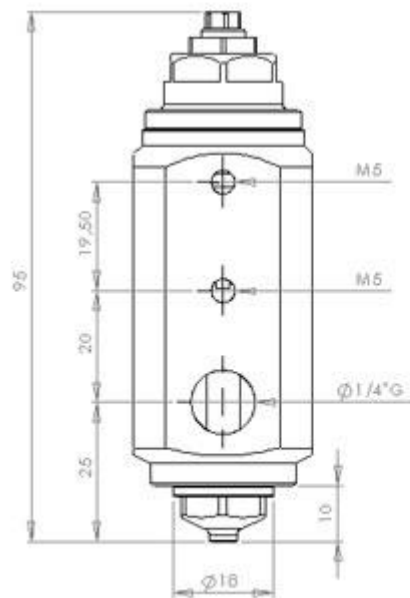
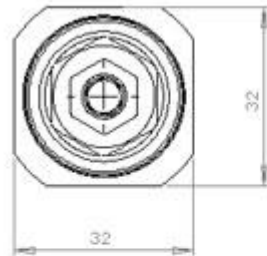


Codice	Descrizione
C35110014	Valve DA 500 100 14 NR 1/4"

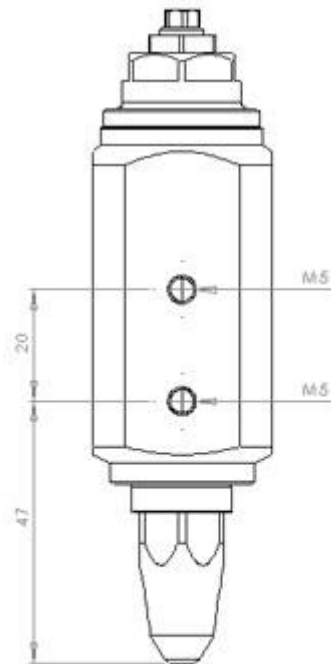
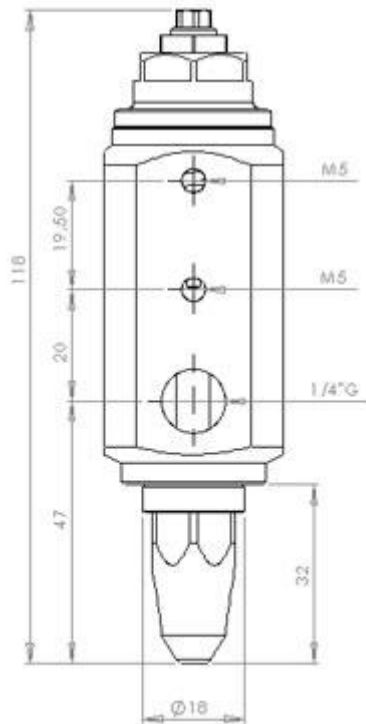
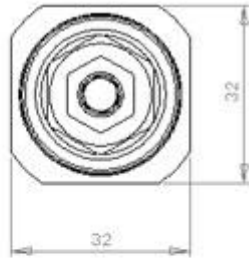


## Dimensions

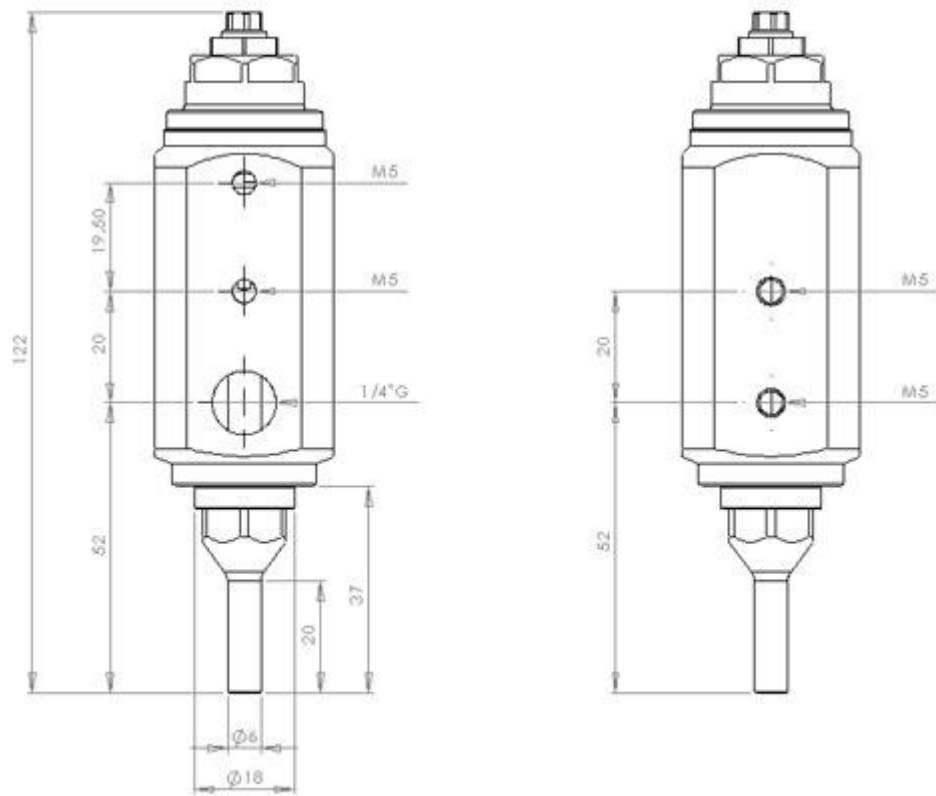
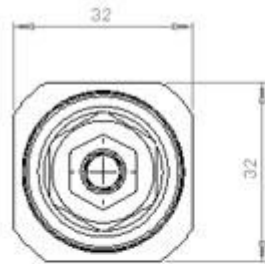
### DA 500 1XX KV NR



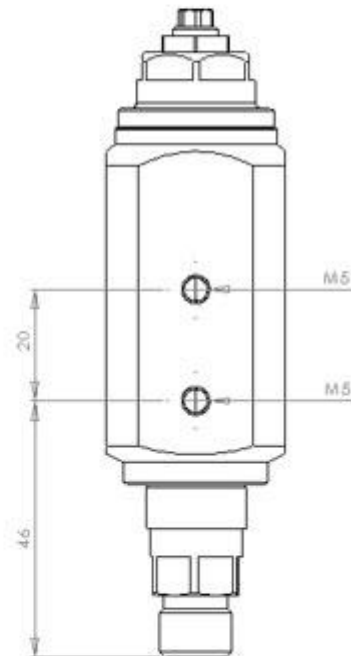
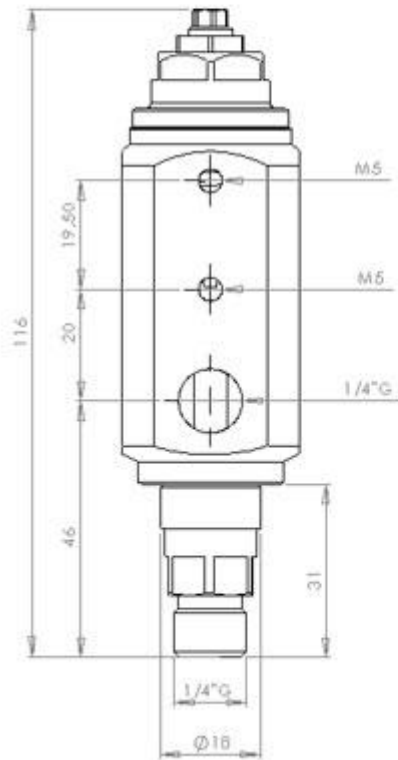
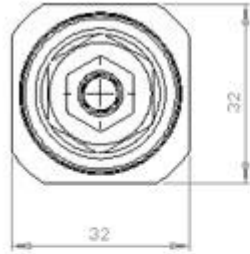
## DA 500 1XX LV NR



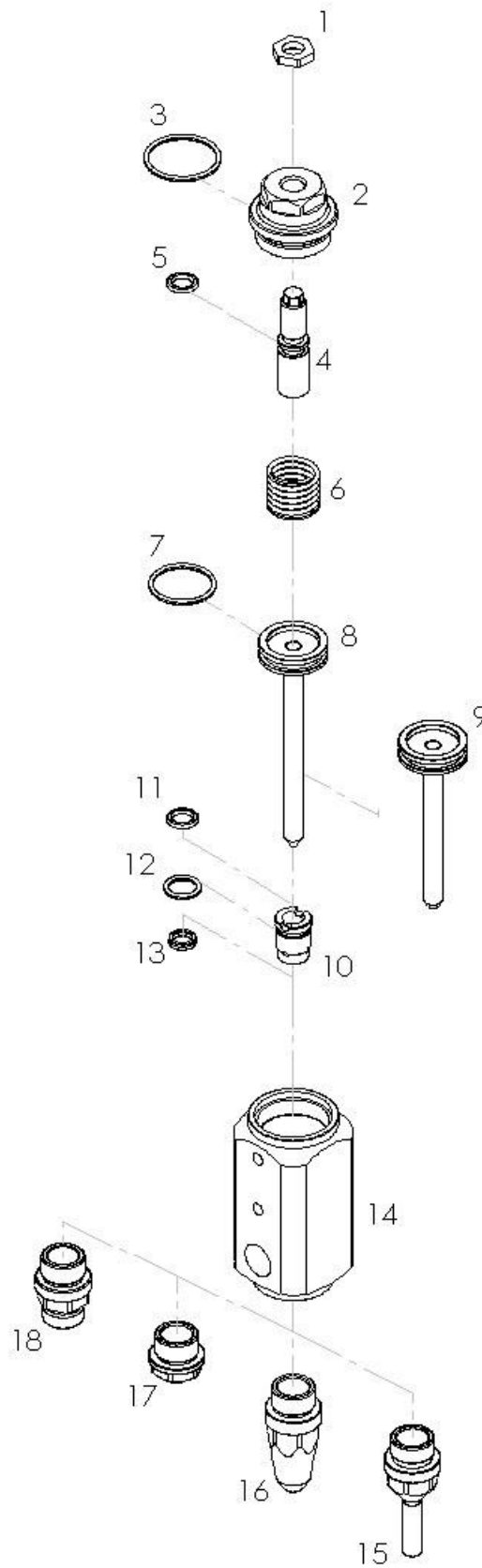
## DA 500 1XX KL NR



## DA 500 100 14 NR



# Part list



## PART LIST

Pos.	Codice	Q.tà	Descrizione
1	H83100305	1	Regulation nut
2	C32500014	1	Regulation block
3	K92012003	1	O-ring
4	C32500013	1	Regulation screw
5	K92010601	1	O-ring
6	K93510907	1	Spring
7	K92011801	1	O-ring
8	H84230520	1	Needle 2,0 LV
	H84230530		Needle 3,0 LV
	H84230540		Needle 4,0 LV
	H84230550		Needle 5,0 LV
9	H84230420	1	Needle 2,0 KV
	H84230430		Needle 3,0 KV
	H84230440		Needle 4,0 KV
	H84230450		Needle 5,0 KV
10	H83100114	1	Nut
11	K92010601	1	O-ring
12	K92010901	1	O-ring
13	K92130302	1	Variseal
14	C33100004	1	Valve body
15	H85520120	1	Nozzle 2,0 KL 10 mm
	H85520130		Nozzle 3,0 KL 10 mm
	H85520140		Nozzle 4,0 KL 10 mm
	H85520150		Nozzle 5,0 KL 10 mm
	H85520220		Nozzle 2,0 KL 15 mm
	H85520230		Nozzle 3,0 KL 15 mm
	H85520240		Nozzle 4,0 KL 15 mm
	H85520250		Nozzle 5,0 KL 15 mm
	H85520320		Nozzle 2,0 KL 20 mm
	H85520330		Nozzle 3,0 KL 20 mm
	H85520340		Nozzle 4,0 KL 20 mm
	H85520350		Nozzle 5,0 KL 20 mm
16	H85340020	1	Nozzle 2,0 LV
	H85340030		Nozzle 3,0 LV
	H85340040		Nozzle 4,0 LV
	H85340050		Nozzle 5,0 LV
17	H85520020	1	Nozzle 2,0 KV
	H85520030		Nozzle 3,0 KV
	H85520040		Nozzle 4,0 KV
	H85520050		Nozzle 5,0 KV
18	H85100140	1	Nozzle 1/4"